



*Dr. Tekill & Mr. Hyde<sup>®</sup>*

THE EXHAUST



**INDIAN**

PRODUCT CATALOG

*Dr. Tekill & Mr. Hyde®*

**ADJUST  
YOUR  
SOUND  
TO THE  
MOMENT**



Model: **Chieftain**  
Body: **Grand Black**  
End Cap: **4,0" Big Shot Black**

# THE EXHAUST



## DR. JEKILL & MR. HYDE THE EXHAUST

— Dr. Jekill & Mr. Hyde gives motorcyclists the ultimate riding experience with The Exhaust. Our adjustable exhaust systems give you the possibility to adjust your sound to the moment and offer street legality, excellent performance, premium quality and 4 years warranty.

Our exhaust systems embody three distinct sound modes: the Dr. Jekill mode, the Dynamic mode and the Mr. Hyde mode. By a simple push of a button a valve inside the muffler closes, opens or opens halfway, which gives you the possibility to easily adjust your sound on the fly.

Dr. Jekill & Mr. Hyde | The Exhaust is a completely legal exhaust system that complies with European laws and is ECE, EG-BE and TÜV approved. Our exhaust systems are fully compliant with the latest Euro norm. The Exhaust is a result of German engineering and Dutch craftsmanship. By riders, for riders. With state of the art technology, perfectly crafted by the best engineers in town, we've created a tailor made exhaust for each and every bike.

Grab the attention of everybody in the street with Dr. Jekill & Mr. Hyde | The Exhaust. With a perfect sound, design and performance it completes your motorcycle.

Model: **FTR 1200 S**  
Body: **Arcade Lower Black**  
End Cap: **4,7" Streetfighter Aluminium**



# THE BENEFITS

Model: **Scout Bobber Twenty**  
Body: **Midsize Chrome**  
End Cap: **3,5" Streetfighter Black**



## DR. JEKILL & MR. HYDE THE BENEFITS

— The Jekill and Hyde Company gives motorcyclists the ultimate riding experience with The Exhaust: an electronically adjustable exhaust system which makes it possible to choose between three different modes on the fly. An exhaust second to none in regards to sound, esthetics and performance.

### THREE SOUND MODES

Our exhaust systems embody three distinct personalities: the Dr. Jekill mode, the Dynamic mode and the Mr. Hyde mode. By a simple push of a button a valve inside the muffler closes, opens, or opens halfway, adjusting the sound of your exhaust.

### STREET LEGAL

Dr. Jekill & Mr. Hyde | The Exhaust is a completely street legal system and complies with European legislation and laws. Our software is programmed to intervene subtly and almost imperceptibly when the parameters set by the legislation are reached. This ensures that you are 100% legal in all sound modes.

### EXCELLENT PERFORMANCE

The Exhaust offers the best power and performance for your motorcycle. With a closed valve the exhaust performs like a stock exhaust, but when the valve opens, the rumbling sound is accompanied with an increase in power. When the valve is closing again, this happens so smooth that it is hardly noticeable while riding. This ensures a safe riding experience, regardless of which mode you are riding in.

### PREMIUM QUALITY

Quality is one of our most important core values. Dr. Jekill & Mr. Hyde | The Exhaust does not only look and sound great, but it is also a reliable and high quality product. Only the best materials are used for the production which are all sourced from trusted suppliers in Europe.

### 4 YEAR WARRANTY

At The Jekill and Hyde Company we take pride in the quality and durability of our products. Our exhausts are made to last, designed and manufactured with longevity in mind. Therefore we deliver all new exhaust systems with a standard 4 year warranty.



# THREE SOUND MODES

Model: **Scout Bobber**  
Body: **Midsize Black**  
End Cap: **3,5" Streetfighter Black**



## THREE SOUND MODES

— Dr. Jekyll & Mr. Hyde | The Exhaust is a smart exhaust system that gives you the ultimate riding experience. Our electronically adjustable system allows riders to control the exhaust with a push of the button mounted on the handlebar. You can choose per situation whether you

want to ride in the Dr. Jekyll mode, the Dynamic mode or the Mr. Hyde mode. Be silent and become one with your surroundings when it is appropriate or make yourself heard when you want to. You decide.

Thanks to our intelligent software, the valve is always correctly positioned, making sure that you are 100% legal in all modes.



### PUSH 1X FOR **DR. JEKILL MODE**

**Dr. Jekyll Mode.** The Valve is closed. The Dr. Jekyll mode is designed to blend in with your environment and become one with your surroundings. Perfect for long journeys and travelling through crowded areas.



### PUSH 1X FOR **MR. HYDE MODE**

**Mr. Hyde Mode.** The valve is open. When your surroundings allow it, you can unleash Mr. Hyde and give your bike maximum sound. Feel the power of your bike and set free your inner beast. Experience a rumbling sensation that no stock exhaust can offer you.



### PUSH 2X FOR **DYNAMIC MODE**

**Dynamic Mode.** The valve is half-way opened. The mode in between Dr. Jekyll and Mr. Hyde.

# STREET LEGAL



Model: **Scout Bobber**  
Body: **Midsize Black**  
End Cap: **3,5" Streetfighter Black**



# STREET LEGAL



Model: **Springfield**  
Body: **Grand Black**  
End Cap: **4,0" Slashcut Black**

— Our products have a EU type approval and are thus 100% street legal. To make this possible, our engineers have created the Smartbox. This electronic control unit, included with our exhaust systems, has the ability to read CAN bus signals coming from the motorcycle's ECU. The software within this unit is programmed to intervene subtly and almost imperceptibly when the parameters set by the legislation are reached. This ensures that you are 100% legal in all sound modes and never end up on the wrong side of the law, no matter what mode you select.

To be 100% street legal, our systems also have to be compliant with the current emission standards. We care deeply about the environment, that is why all of our exhaust systems are compliant with the latest Euro-norm. But do not just take our word for it, ask the proper authorities. Before we introduce a new exhaust system it gets thoroughly tested by them and only when they approve it, a Dr. Jekyll & Mr. Hyde exhaust system becomes available for your bike.

EXCELLENT PERFORMANCE



Model: **FTR 1200 S**  
Body: **Arcade Lower Black**  
End Cap: **4,7" Streetfighter Aluminium**



Model: **FTR 1200**  
Body: **Arcade Upper Pearl Grey**  
End Cap: **4,7" Slashcut Black**

## EXCELLENT PERFORMANCE

— When unleashing Mr. Hyde you will feel an increase of power within your bike. Opening the valve gives your bike more performance and you will experience a sensation that no stock exhaust can give.

When, because of legality reasons, the system interferes and closes the valve for a moment, this is done so smoothly that you will barely notice this in the performance of your bike; making sure you always have a safe journey.

PREMIUM QUALITY



Model: **Challenger**  
Body: **Grand Black**  
End Cap: **4,0" Slash Cut Black**

## PREMIUM QUALITY

— Quality is one of our most important core values. Dr. Jekyll & Mr. Hyde | The Exhaust does not only look and sound great, it also needs to be a reliable and high quality product. Because of our years of experience and expertise, we keep on perfecting our products, making sure that the customer always rides with a state of the art and perfectly crafted exhaust system. To achieve this, all our exhaust systems need to withstand all kinds

of extreme (weather)conditions and extreme heat. Therefore they are thoroughly tested, before going into production. When all the tests are passed and an exhaust becomes available to the public, only the highest quality materials are used for the production which are all sourced from trusted suppliers in Europe.



## 4 YEAR WARRANTY

— At Dr. Jekyll & Mr. Hyde we take pride in the quality and durability of our products. Our exhausts are made to last, designed and manufactured with longevity in mind. Therefore we deliver all new exhaust systems with a standard 4 year warranty.\*

*\* To have an exact overview of the Dr. Jekyll & Mr. Hyde warranty terms, we invite you to read the warranty terms carefully at: [jekillandhyde.com/en/warranty](http://jekillandhyde.com/en/warranty)*



4 YEAR WARRANTY





# HOW IT WORKS

Model: **Springfield**  
Body: **Grand Black**  
End Cap: **4,0" Big Shot Black**



1

## HOW IT WORKS

— When riding with Dr. Jekyll & Mr. Hyde you feel the raw power of your bike and still have a carefree ride since you always remain within the limits of the law. The Exhaust consists of several (electronic) parts that all contribute to the ultimate riding experience.

### 01 MODESWITCH

Push it to control your exhaust system and choose your sound mode. Looks and function may vary per country.

### 02 SMARTBOX

Intelligent software unit that controls the servomotors.

### 03 SERVOMOTORS

These will react to the signal of the Smartbox and position the valve in the required mode.

### 04 THE EXHAUST

Reacting to the servomotors our patented valve system will be positioned in the required mode.

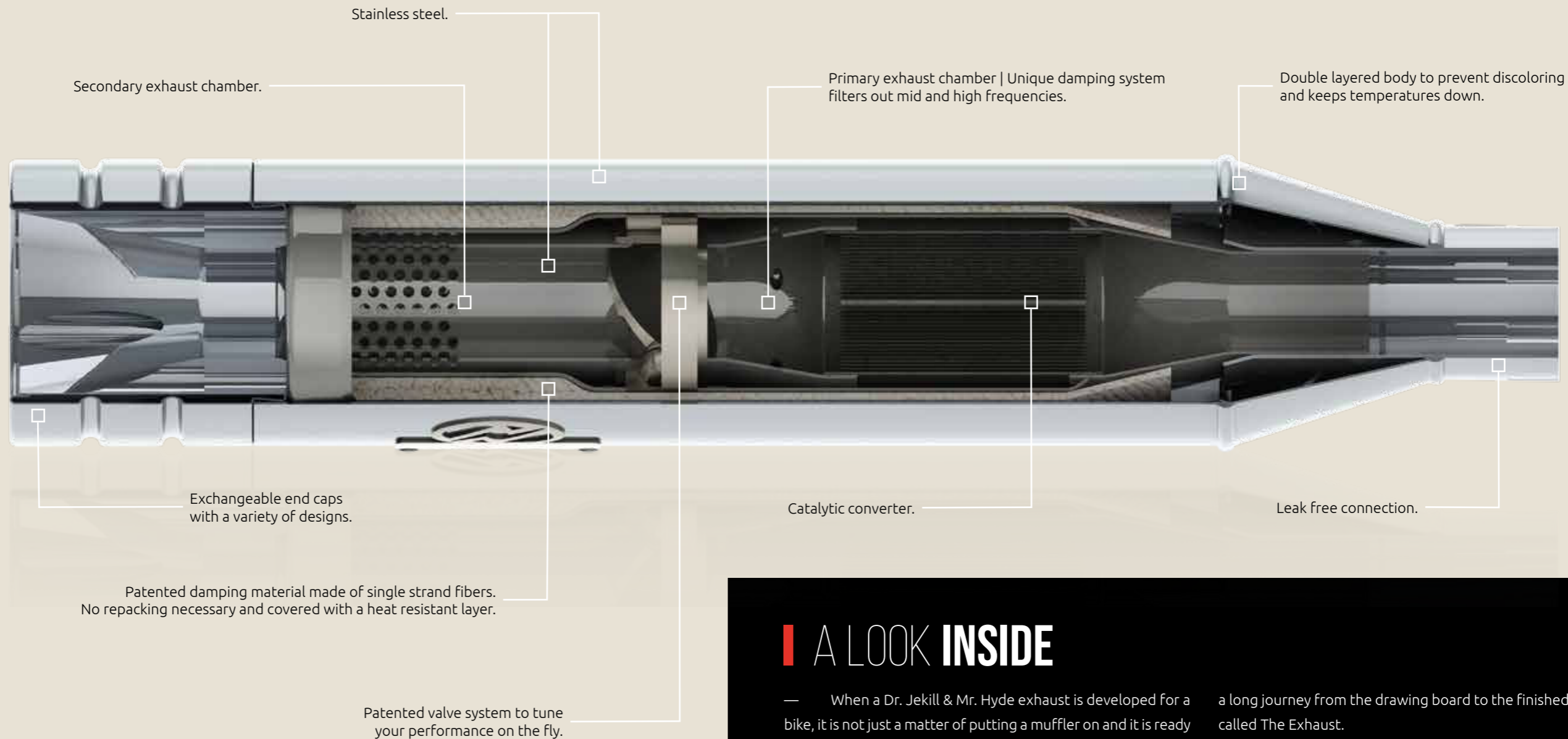
4

3

2



# A LOOK INSIDE



## A LOOK INSIDE

— When a Dr. Jekyll & Mr. Hyde exhaust is developed for a bike, it is not just a matter of putting a muffler on and it is ready to go; our engineers have developed the perfect exhaust for your motorcycle. With computer simulations and the building of prototypes, they create an exhaust that is tailor-made for each and every bike. With all these factors coming together in our product; a Dr. Jekyll & Mr. Hyde exhaust system has made

a long journey from the drawing board to the finished product called The Exhaust.

Take a look at the cross section of The Exhaust above to see what it looks like inside, the different parts it contains and the materials which are used.

\* Cross section may differ per exhaust type.

# HOW IT SOUNDS

# PUSH THE BUTTON

**1X** PUSH 1X FOR  
DR. JEKILL MODE

**1X** PUSH 1X FOR  
MR. HYDE MODE

**2X** PUSH 2X FOR  
DYNAMIC MODE

## GO FOR BETTER SOUND

— When you ride in Mr. Hyde mode, the valve opens and you enjoy a deep rumbling sound that has been specially developed for your motorcycle. As a company we find it necessary that this sound is not 'loud and annoying'. Our specialized (sound) engineers have crafted a tailor-made sound for every bike that on the one hand gives riders the ultimate riding experience, but on the other hand is not a nuisance to others.

Your riding experience is accompanied with a deep bass sound without any treble or mid tones. It enhances the already characteristic sound from the Indian engine and takes this to a whole new level. Dr. Jekyll & Mr. Hyde | The Exhaust provides you with a complete product that combines the best elements of performance, design and sound quality.



# CONFIGURATOR



Model: **Scout Bobber**  
Body: **Midsize Black**  
End Cap: **3.5" Streetfighter Black**



## CONFIGURE YOURS

### COMPANY WEBSITE

— The Dr. Jekyll & Mr. Hyde website is fully developed and designed with the rider in mind. Pick a motorcycle brand of choice and start your personal route to the perfect Dr. Jekyll & Mr. Hyde exhaust. And while you're at it, get inspired by our blogs and road stories or check out the coolest pictures and videos to boost your own creativity.

Visit our company website at: [jekillandhyde.com](http://jekillandhyde.com)

### EXHAUST CONFIGURATOR

— Customize your own Exhaust for Indian in our Exhaust Configurator: your perfect exhaust is only a few clicks away. Pick your body colour, end caps and electronics and make it yours. Let's build something beautiful.

### CONFIGURATION CODE

— As of now it is possible to generate a configuration code while configuring a Dr. Jekyll & Mr. Hyde exhaust. If you download or email a PDF, or directly requests a quote, a configuration code will be added to the attached PDF automatically. Show or email this unique code to your dealer and he or she will be able to get your desired exhaust configuration instantly. Simple as that!

Check: [configurator.jekillandhyde.com](http://configurator.jekillandhyde.com) for latest product / model updates.

YOUR CHOICE

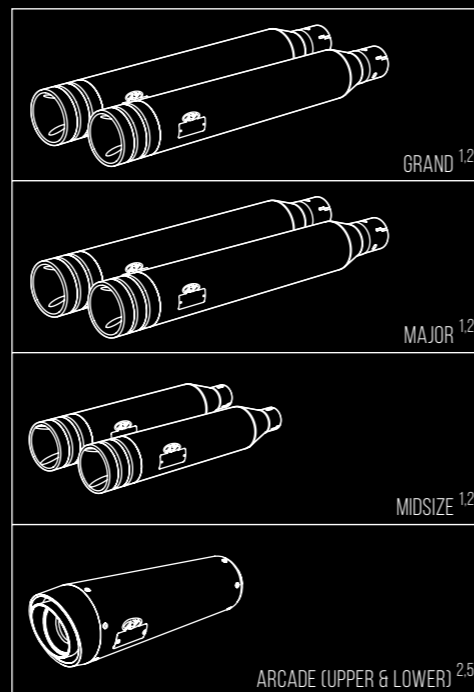
### COLOUR / MATERIALS\*



\* Numbers indicate available colour / material options.

Check: [configurator.jekyllandhyde.com](http://configurator.jekyllandhyde.com) for latest product / model updates.

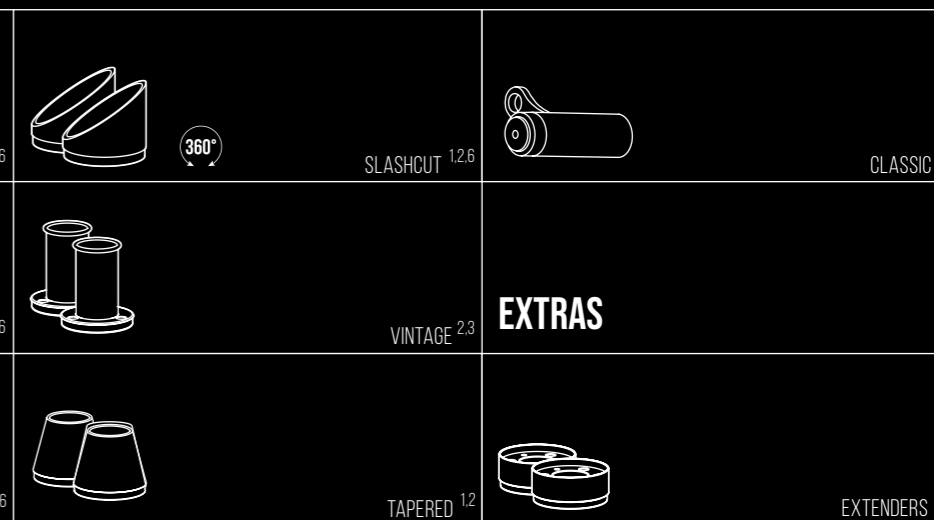
### BODIES



### END CAPS



### MODESWITCH



## TAILOR-MADE EXHAUST SYSTEMS

— As a rider you want to have an exhaust that suits the look of your bike and also complies with your personal taste. We offer a wide array of exhaust systems tailor-made for various Indian Motorcycle® models.

### BODIES

In the scheme above, you can see an overview of our bodies and the colours in which they are available. To see which body is available for your motorcycle, we invite you to check out our online configurator.

### END CAPS

Give your exhaust the final touch with a set of Dr. Jekyll & Mr. Hyde end caps. Let it fit in with the design or let it stand out, it's your choice.

### MODESWITCH

The modeswitch to open and close the valve is perfectly integrated into the design of the bike.

### EXTRAS

For several models we offer optional extenders. These extenders add another 33mm to your entire exhaust.



# END CAPS



Model: **Chieftain**  
Body: **Grand Black**  
End Cap: **4,0" Big Shot Black**



## DIFFERENT LOOK? **CHANGE YOUR END CAPS**

— Every now and then it is time for a different look. Therefore we give you the choice between different sets of end caps. When you decide it's time for a new look, contact your dealer and change your end caps. It completely changes the appearance of your exhaust and motorcycle. For inspiration visit our social pages.

For more info about all available end caps visit:  
[jekillandhyde.com/en/accessories](http://jekillandhyde.com/en/accessories)





Model: **Springfield Dark Horse**  
Body: **Grand Black**  
End Cap: **4,0" Slashcut Black**

ALL MODELS

Model: **Challenger**  
Body: **Grand Black**  
End Cap: **4,0" Big Shot Black**



## INDIAN MOTORCYCLE® AND DR. JEKILL & MR. HYDE | THE EXHAUST THE PERFECT FIT

— At The Jekill and Hyde Company we try to create the widest possible range of exhaust systems for the Indian Motorcycle® rider. That is why we offer exhaust systems for every member of the family and have systems available for models that go back as far as 2014, the year Indian Motorcycle® was resurrected and continued its mission to create authentic, iconic bikes. Check out our configurator at [configurator.jekillandhyde.com](https://www.jekillandhyde.com/configurator) and see all our available options for Indian Motorcycle® models.



Model: **FTR 1200 S**  
Body: **Arcade Lower Black**  
End Cap: **4,7" Streetfighter Aluminium**



# CLEANING KIT



## CLEANING KIT

— At The Jekill and Hyde Company we are always looking for something extra to give our customers in addition to the ultimate adjustable exhaust. It is common knowledge that most motorcyclists clean their motorcycles with, at least, the same attention as riding it. Therefore the idea of a cleaning kit was a logical addition.

Of course it is very important that this set has to be of the same premium quality as the exhaust. Together with Motul we

started a cooperation to release a cleaning kit that would make your exhaust (and the rest of your bike) shine like never before.

### CONTENTS OF THE CLEANING KIT

The Motul cleaning kit consists of the cleaning product, two microfiber cloths and a surprise giveaway. Of course it all comes in a package that is completely in Dr. Jekill & Mr. Hyde style.

## EC-CARD

— Dr. Jekill & Mr. Hyde exhaust systems are completely legal and approved by all authorities. To prove the legality of the system in any given situation you can refer to the approval numbers and the serial number on the type shield on the exhaust.

### EC-CARD WITH QR-CODE

Next to that you get an EC-card with your system, where you will find the specific registration numbers for your model as well

as the serial number of your exhaust system. Furthermore the card has a QR-code that you can scan with your smartphone. After scanning the code all the inspection papers corresponding with your exhaust appear on your screen. Proving once and for all the Dr. Jekill & Mr. Hyde exhaust is fully compliant with the law and legislation.

# EC-CARD



# OUR MISSION



## OUR MISSION

— With everything we do, we want to give the ultimate riding experience. We achieve this by giving the possibility to adjust your sound to the moment and offering street legality, excellent performance and premium quality.

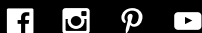
We want to pursue our mission and vision by maintaining and extending our world leading position in developing, manufacturing and supplying the best adjustable exhaust systems for motorcycles, always exceeding customer service expectations.



*Dr. Jekyll & Mr. Hyde*<sup>®</sup>

THE EXHAUST

**YOU ARE** DR. JEKILL & MR. HYDE  
SHARE #MYJEKILLANDHYDE



#JEKILLANDHYDE #DRJEKILLANDMRHYDE #THEEXHAUST

Your Local Dealer

[JEKILLANDHYDE.COM](http://JEKILLANDHYDE.COM)

